

## Superstilus bollard

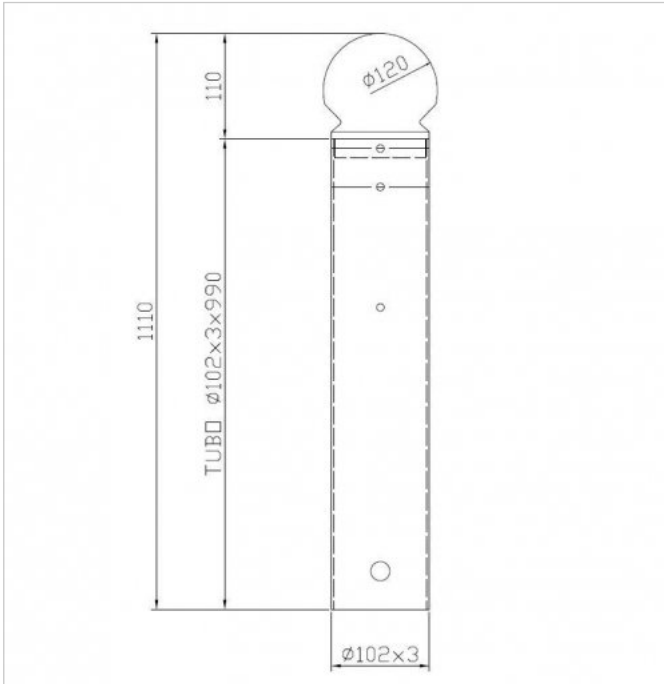




Tubular bollard, 102 mm diameter with diam. 120 mm cast iron sphere, embedded.

### General Product Information

<b>Code</b>	260004
<b>Applications</b>	Bollard with minimalist style to fit in with all contexts, from historic city centres to all types of urban area.
<b>Installation</b>	Embedded base anchored to the ground. Make sure it is fixed to a suitable surface.
<b>Notes</b>	

### Data sheet



<b>Colour</b>	RAL colours as per catalogue 
<b>Materials</b>	Galvanised and painted steel 
<b>Dimensions</b>	Width Ø 120 mm Height 1110 mm
<b>Weight</b>	Kg
<b>Assembly</b>	
<b>Notes</b>	

## Accessories

## Superstilus bollard



Tubular bollard, 102 mm diameter with diam. 120 mm cast iron sphere, base plated.

**Specifications:**

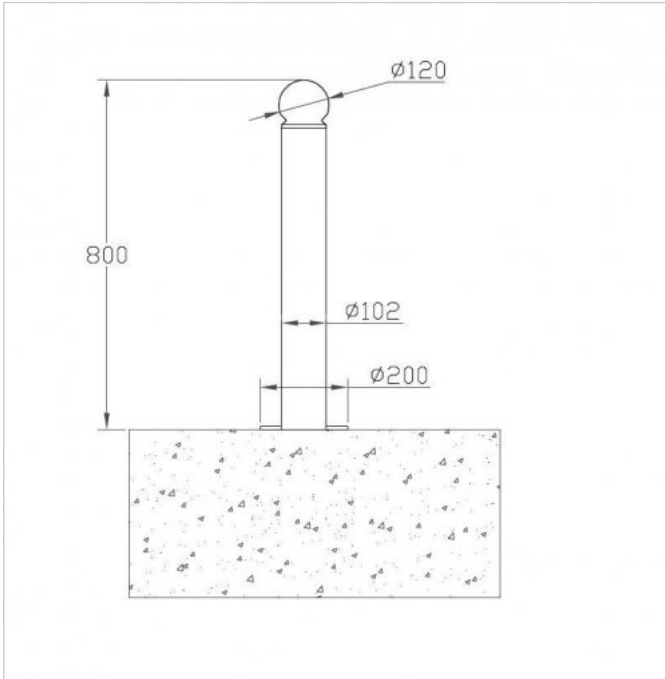
Column bollard in Ø102 mm, 3 mm thick, tubular steel; Ø120 mm cast iron terminal sphere. Available in base plated, embedded and removable versions.



Overall dimensions: Ø120x800h mm (above ground). Indicative weight: 16 kg.

### General Product Information

<b>Code</b>	260005
<b>Applications</b>	Bollard with minimalist style to fit in with all contexts, from historic city centres to all types of urban area.
<b>Installation</b>	Base plate anchored to the ground. Make sure it is fixed to a suitable surface.
<b>Notes</b>	

### Data sheet



<b>Colour</b>	RAL colours as per catalogue 
<b>Materials</b>	Galvanised and painted steel 
<b>Dimensions</b>	Width Ø 120 mm Height 800 mm
<b>Weight</b>	16 Kg
<b>Assembly</b>	
<b>Notes</b>	

## Accessories